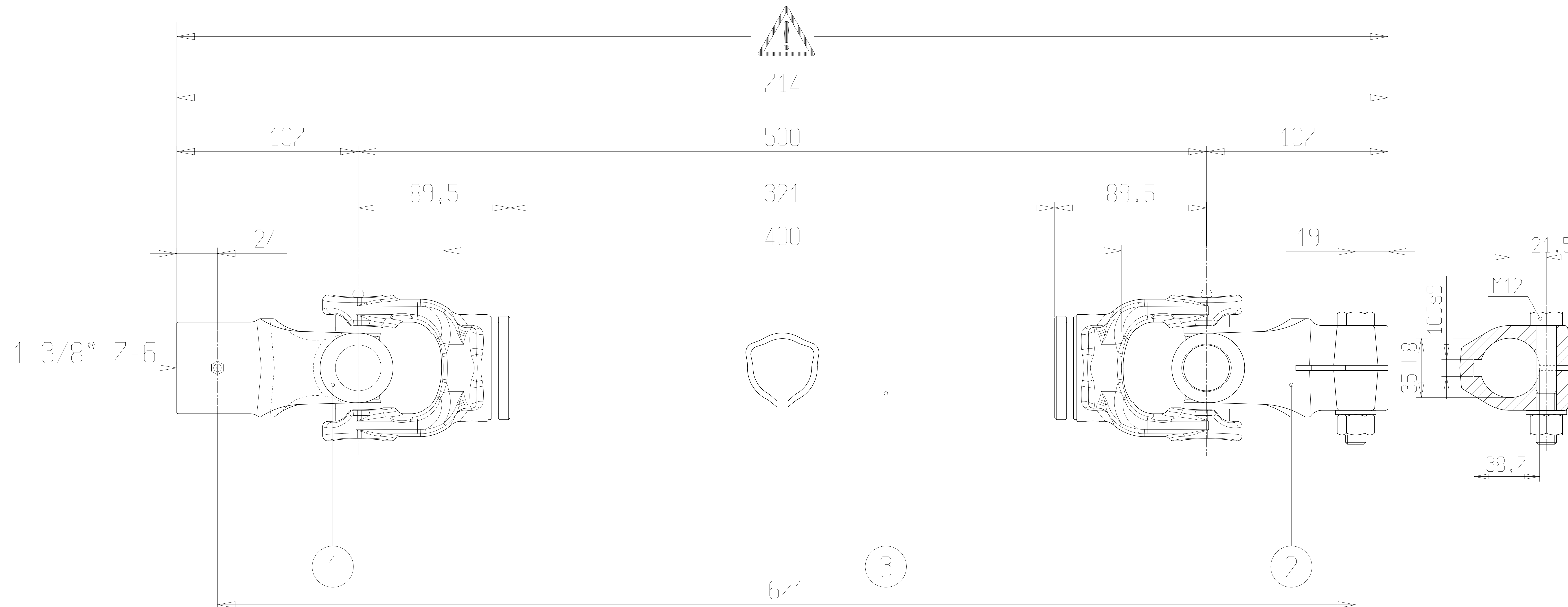
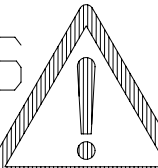


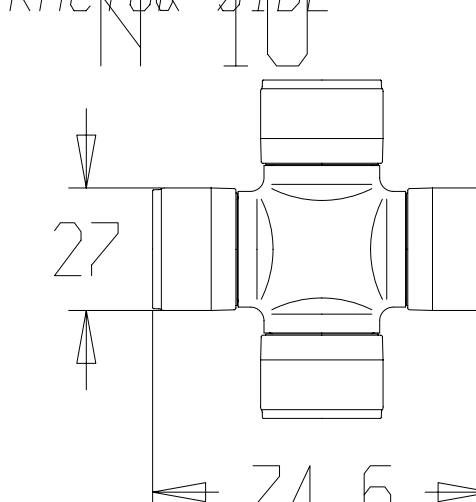
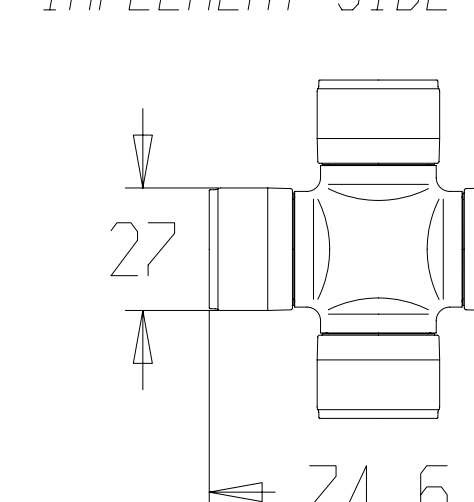
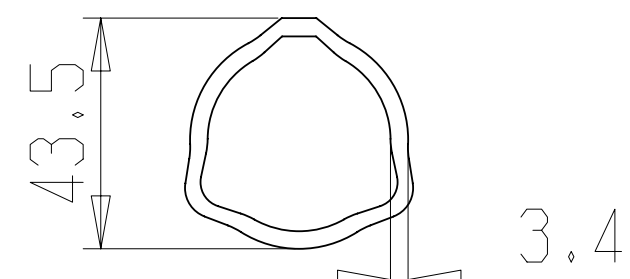
*



WARNING!

SECTIONS  OF THE ASSEMBLY MARKED ARE NOT SHIELDED AND MUST BE SHIELDED BY AN INTERACTIVE GUARDING SYSTEM. BONDIOLI & PAVESI DECLINES RESPONSIBILITY IF PROPER GUARDS ARE NOT PROVIDED OR MAINTAINED.

CENTRATURA SECONDO FIUT-07 GRADO 3

* 1	CODICE CODE	212040351	LATO TRATTORE TRACTOR SIDE	LATO MACCHINA IMPLEMENT SIDE	TIPO-TYPE	CLIENTE / CUSTOMER	RIF. CLIENTE / CUSTOMER REF.	
	CODICE CODE	036			G4	4600031 ALAMO MANUFACTURING SERVICES (UK) L		
2					DATA / DATE	DISEGNATO / DESIGNED BY	TIPO DI MACCHINA / TYPE OF IMPLEMENT	
3		L=400			8/6/12	R. Moretti	STUDIO / DESIGN	ORIGINE / ORIGIN
					LUNGHEZZA MAX IN LAVORO MAX WORKING LENGTH			810405000036001
4			VELOCITA' MAX MAX SPEED	M max	LUNGHEZZA MAX TEMPORANEA MAX TEMPORARY LENGTH	NOTE / NOTES		CODICE / CODE
			1500 min ⁻¹	2000 Nm	LUNGHEZZA MAX NON IN ROTAZIONE MAX LENGTH AT STANDSTILL	SPECIALE PER: POSIZIONE 1; ALBERO FISSO; CENTRATURA.		8G4N05000000001
								REV.